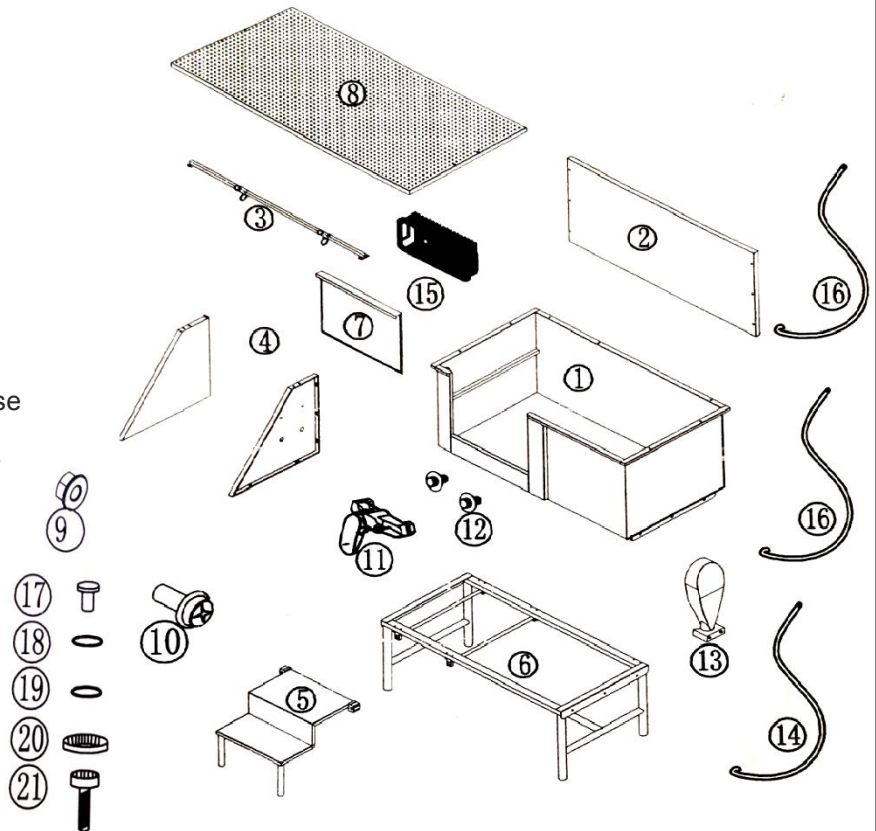


pet bathtub instructions

& Parts list

- | | |
|--------------------------------------|----------------------|
| 1: bathtub box | 12: connector |
| 2: rear baffle of the tub | 13: Shower head |
| 3: derrick | 14: shower hose |
| 4: the bathtub left and right baffle | 15: Soap cylinder |
| 5: step stair | 16: water inlet hose |
| 6: bathtub base | 17: water leakage |
| 7: Door plank | 18: gasket |
| 8: step | 19: rubber gasket |
| 9: M8 hexagon nut | 20: fixed ring |
| 10: M8 head screw | 21: outlet |

Tools: cross screwdriver, wrench



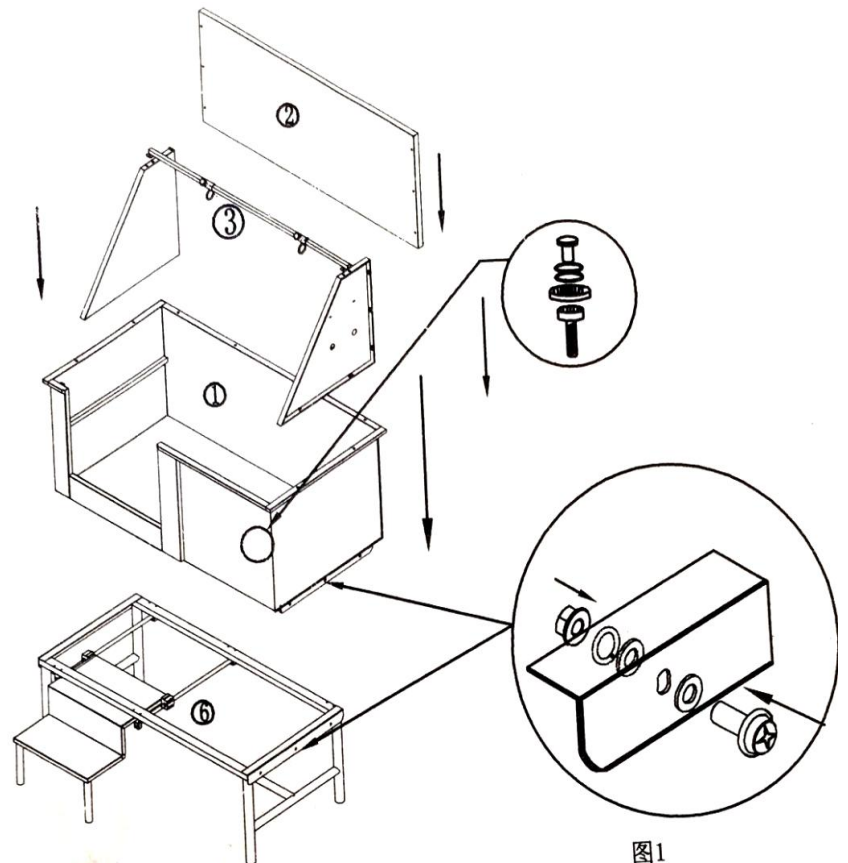
& Assembly instructions

1: As shown in the figure, place the tub box properly on the bottom rack and lock the box with the screw (see figure)

2: the gasket set into the water leakage into the bath together at the bottom of the hole, then the rubber gasket (with thread side down) from the tub at the bottom of the box body into the water leakage, and fixed plastic retainer ring is tightened, the last on the water hose and hose connection of the screw to prevent loss

3: place the left and right baffle and the rear fender on the upper part of the box, and use the screw to fix it (the left and right baffle and the rear should also be fixed with screws)

4: Place the horizontal bar on the right left and right side of the Assemble the box, and tighten the screw on the hole position



5: put the pedals into the bathtub

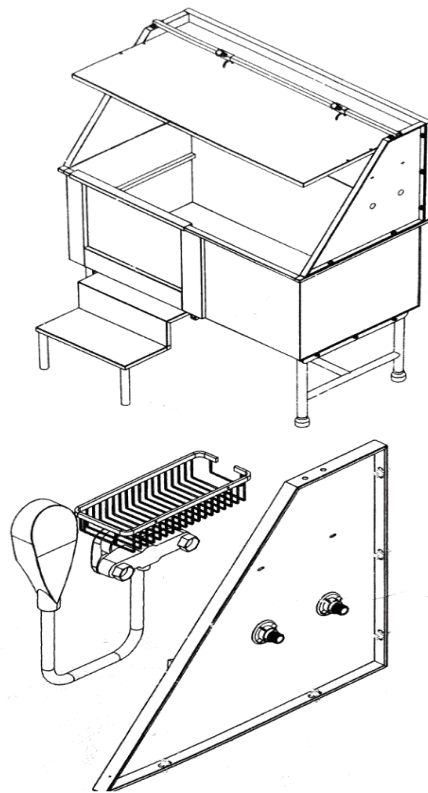
6: Screw the soap box with screws on the right side of the two long lumbar holes and adjust the position to tighten the screws

7: take the tap into the water inlet through the two large holes of the right board, and turn the joint to the inlet on the other side of the side plate

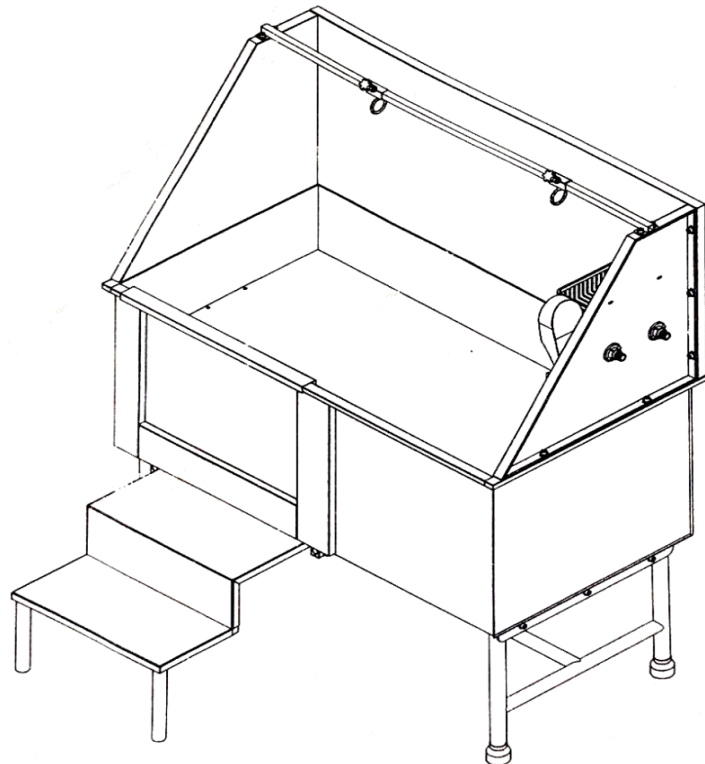
8: connect the two ends of the hose to the outlet of the faucet and the sprinkling water inlet to tighten it and then place the shower head on the bracket

9: Connect two water inlet pipes to the other side of the joint and tighten to prevent leakage

Tools: screwdriver, wrench



Complete assembly



TIP: after installation, adjust the bathtub adjustable foot to hold the bathtub smooth and steady, and adjust the leaking end to keep it low to make the waste water emissions more smoothly.

After using please thoroughly clean the bathtub and keep dry clean, can only use mild soap or detergent for cleaning, do not use the rough or corrosion were role cleaner, bleach, also can not use with metal or metal arts and tools (such as: steel wire ball, steel brush) clean surface to prevent scratch damage bathtub