

### Note:

If the minced meat is not discharged smoothly or in the form of paste; the causes and remedies could be:

- (1). Screw cap is tighten too much thus, the cutting blade does not contact properly with the cutting plate; readjust it.
- (2). The cutting plate in blocked, clean it.
- (3). Cutting Blade edges is dull, grind or replace it.

### Jamming

When the motor is locked, or when the motor continues to function, but no meat comes out of cutting plate, due to jamming of bone or other materials that stop the motor, switch off.

- Do not switch on.

Turn switch to REVERSE to clear jamming of bone or other materials.(If have)

### To clean (Disassembling)

Make sure that the motor has stopped completely.

Disconnect that plug from the power outlet.

Screw cap sides are 1 planes, convenient for unscrewing, if screw cap is too tight, please knock at the planes with a soft-handle. Then screw cap will be unscrewed easily.

Unscrew the locking knob, and take out head(with cutting plate; cutting blade and feed screw), Then put head mouth downward in order to take out cutting plate, cutting blade and feed screw.

### (Cleaning)

Remove meat etc. Wash each parts with warm soapy water.

- A bleaching solution containing chlonne will Discolor aluminum surfaces.
- Do not immerse motor housing in water, but only wipe it with a damp cloth.
- Thinners and benzenes will crack or change the color of the unit.

A little salad oil on ⑥-⑧ after washing and drying will keep them lubricated.

Care is need when handing cutting blade during cleaning.

Don't use a perforated disc with holes of  $\geq 8$  mm diameter or smallest with unless an additional protective hood is provided at the discharge outlet.

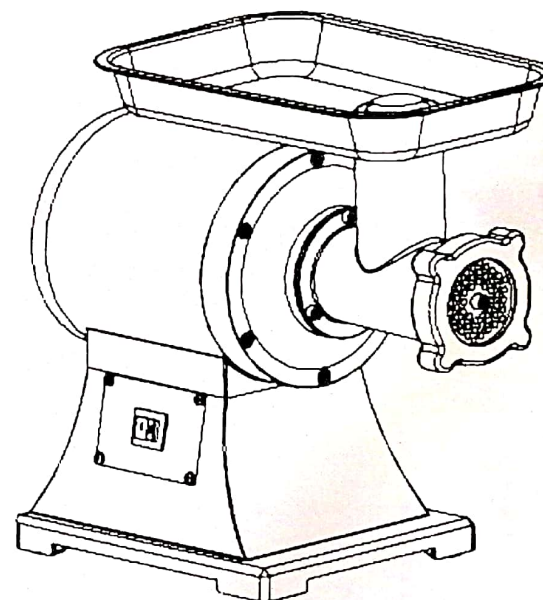
### Technical Specifications

TYPE	# 12	# 22
Productivity	150kg/h	250kg/h
Speed of blade	193-225r/min	193-225r/min
Dimensions/ CTN	50x29x36.5cm	50x29x36.5cm
G.W./N.W.	19.0kg	22.0kg

# OPERATING INSTRUCTIONS

## MEAT MINCER

ITEM: 12 # / 22 #



Before operating this unit ,please read instructions completely.



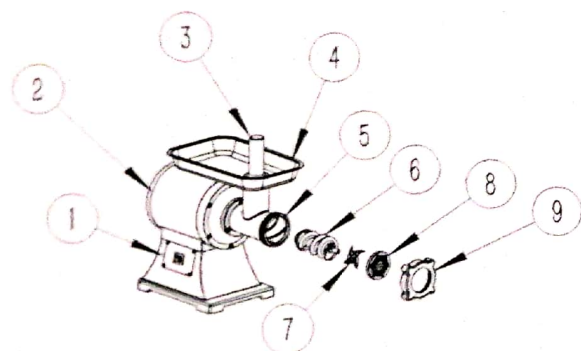
## Cautions

- Unplug when assembling or disassembling the unit. Close supervision is necessary when any appliance is used near children.
- When carrying the unit, be sure to hold Motor Housing with both hands, not to hold only Hopper Plate. Be careful to carry the unit because it is very heavy.
- Never feed food with hand. Use Food Pusher.
- Do not grinder hard foods such as bones and nuts.
- Do not grind ginger and other materials with hand fiber.
- To avoid jamming, do not force to operate the unit with excessive pressure.
- If other unit jams due to hard maternal lodged on to Feed Screw or Cutting Blade. Switch off immediately and clean the unit. (See "Jamming" on page "3")
- Never try to undo the parts or to repair the unit by yourself. If the supply cord is damaged, it must be replaced by a special cord from your dealer or its service agent.
- The appliance shelf warm against misuse.
- The appliance is so positioned that the plug is accessible.

## Before use

- Make sure that the voltage and frequency Indicated on the bottom plate are the same as your Local supply, and that the external earthed wire is Reliable connected.
- Wash all the parts(except those that do not touch food ①、②and ⑤) in warm soapy water.
- Before plugging in, ensure switch is off.

## Parts identification



### Parts Identification

- |             |                 |                 |                 |
|-------------|-----------------|-----------------|-----------------|
| 1 Switch    | 2 Motor Housing | 3 Food Pusher   | 4 Hopper Plate  |
| 5 T-tube    | 6 Feed Screw    | 7 Cutting Blade | 8 Cutting Plate |
| 9 Front Cap |                 |                 |                 |

## To mince meat (Assembling)

1. Place feed screw into head, login first, by turning feed screw slightly until it is set into motor
2. Place cutting blade onto feed screw shaft with the blade facing the front as illustrated. If it is not fitted properly, meat will not be ground.
3. Place desired cutting blade next to cutting blade, gap align the pin to head.
4. Screw cap into peace until tight.

- Do not over tighten.

Place hopper plate on head and fix into Position. Locate the unit on a firm place.

- The air passage at the bottom and the side of motor housing should be kept free and Not blocked.

### ( Minding meat)

Cut all foods into pieces so that they fit into hopper opening. Plug in, then switch on.

5. Feed foods into hopper plate.
  - Use food pusher. After use, switch off and unplug.

